

# PA10

PA SERIES

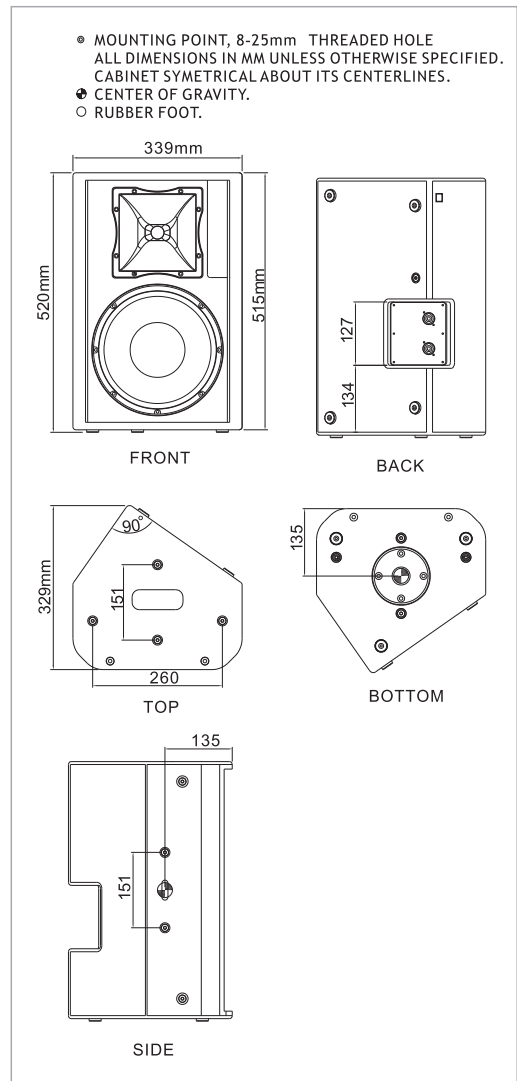
- 10" ultra low distortion woofer
- High output driver with titanium nitride coated dome
- High SPL
- Excellent transient characteristics
- Install easy and convenient

The PA10 is a versatile full range two-way loudspeaker system that features an ultra low distortion 10" woofer and a 1.75" compression driver coupled to a 90°x90° rotatable elliptical waveguide.

The PA10 incorporates a multisession enclosures fitted with M8 threaded points for use with an optional U-bracket and includes an integral top hat.



Loudspeaker	
Design	2-Way Full Range System
Freq. Response -10 dB	60Hz-18 kHz
Freq. Response ±3 dB	65Hz-17kHz
Coverage angles (nominal)	90° x 90° HT (hor. x vert.)
Directivity index (DI)	12 (+2/-3) 500Hz-14 kHz
Power handling (nominal)	250 W
SPL 2.83 V / 1 m	97 dB
Max. SPL	123 dB (SPL peak / 1 m)
Components	10" low-mid chassis 1" high frequency driver with 44 mm Titanium diaphragm on a rotatable horn
Crossover	1.8 kHz 18 dB / octave, automatic resettable driver protection, passive allpass filter to optimize phase response and time alignment
Impedance	8 Ω
Connectors	2 x Neutrik NI4 ±1
Enclosure	
	Trapezoidal enclosure with extra cluster angles out of 15 mm multiplex with highly resistant structured paint in black, 2 ergonomic butterfly handles, ball proof steel grille with exchangeable, acoustic foam
Flyware	17 flying points
Dimensions(WxDxH)	339 x 329 x 520 mm
Weight(kg)	N.W:18 G.W:21



Installation and use of accessories

